



**SIEBTECHNIK TEMA**



# PERFLUX

Control screening machine

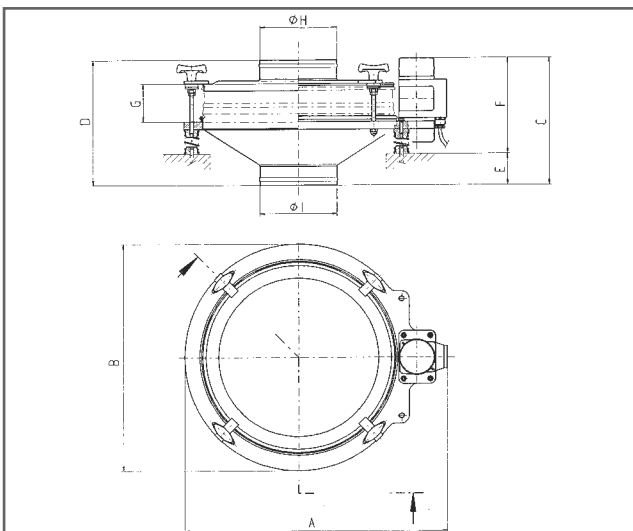
# Gyratory motion cleans powders and suspensions from impurities and agglomerates

Impurities contained in powders and suspensions (for example screws, scraps of paper or cleaning rags), can, if they remain undetected, lead to expensive repairs of machines and equipment or may even cause shut-down of production. Therefore you should protect your sensitive production processes with the control screening machines of our new PERFLUX-generation, which reliably remove impurities and agglomerates from powders and suspensions.



PERFLUX 151

The main scope of application for these machines is the control screening of materials before they are packed, shipped or processed for various industries, such as the building material industry, paint industry, chemical industry, food industry and pharmaceutical industry. These machines are also ideally suited as screening machines for small manufacturing processes. Our new PERFLUX-generation consists of a highly stiffened aluminium frame, which is put into gyratory motions by the attached unbalance motor.



This gyratory motion allows a highly efficient and effective screening process with only one motor, thereby keeping operating cost low. Due to its compact dimensions, the machine can easily be integrated into any production process.



PERFLUX 801

Depending on its field of application, the PERFLUX can be supplied with

- ◆ Sifting disc of stainless steel, with or without reject discharge, for dry screening
- ◆ Sifting disc of stainless steel without reject discharge, for wet screening
- ◆ Cover and funnel of stainless steel to ensure dust-free processing
- ◆ Execution for operation in ex-areas according ATEX 100 a
- ◆ Brush device for screening of difficult material and for the crushing of agglomerates
- ◆ Various base frames

PERFLUX		151	301	501	801
Screen surface diameter	mm	150	300	500	800
Mesh opening	µm	> 40	> 40	> 63	> 63
Motor	kW	0,16	0,16	0,16	0,50
Weight incl. mesh, cover and funnel	kg	approx 18	approx 20	approx 25	approx 60
Dimensions	A	490	490	690	1182
	B	400	400	600	948
	C	261	302	335	410
	D	235	285	330	420
	E	10	50	82	114
	F	250	252	252	296
	G	100	85	100	131
	H	50	100	200	200
	I	50	100	200	200

Dimensions without obligations.