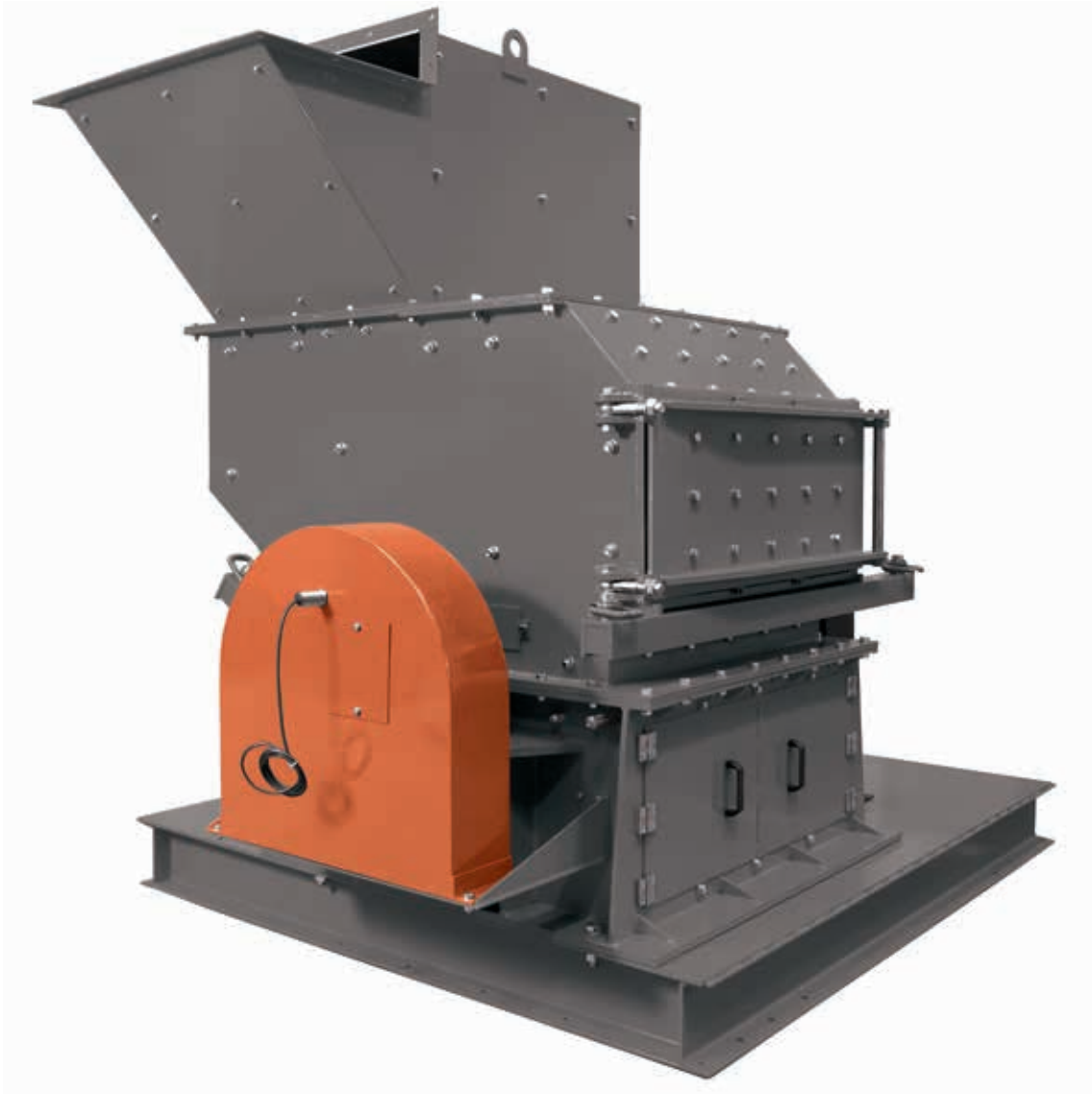




SIEBTECHNIK TEMA



Hammer and hammer impact mills

Comminution of soft to medium-hard materials

HAMMER AND HAMMER IMPACT MILLS – HM AND HPM

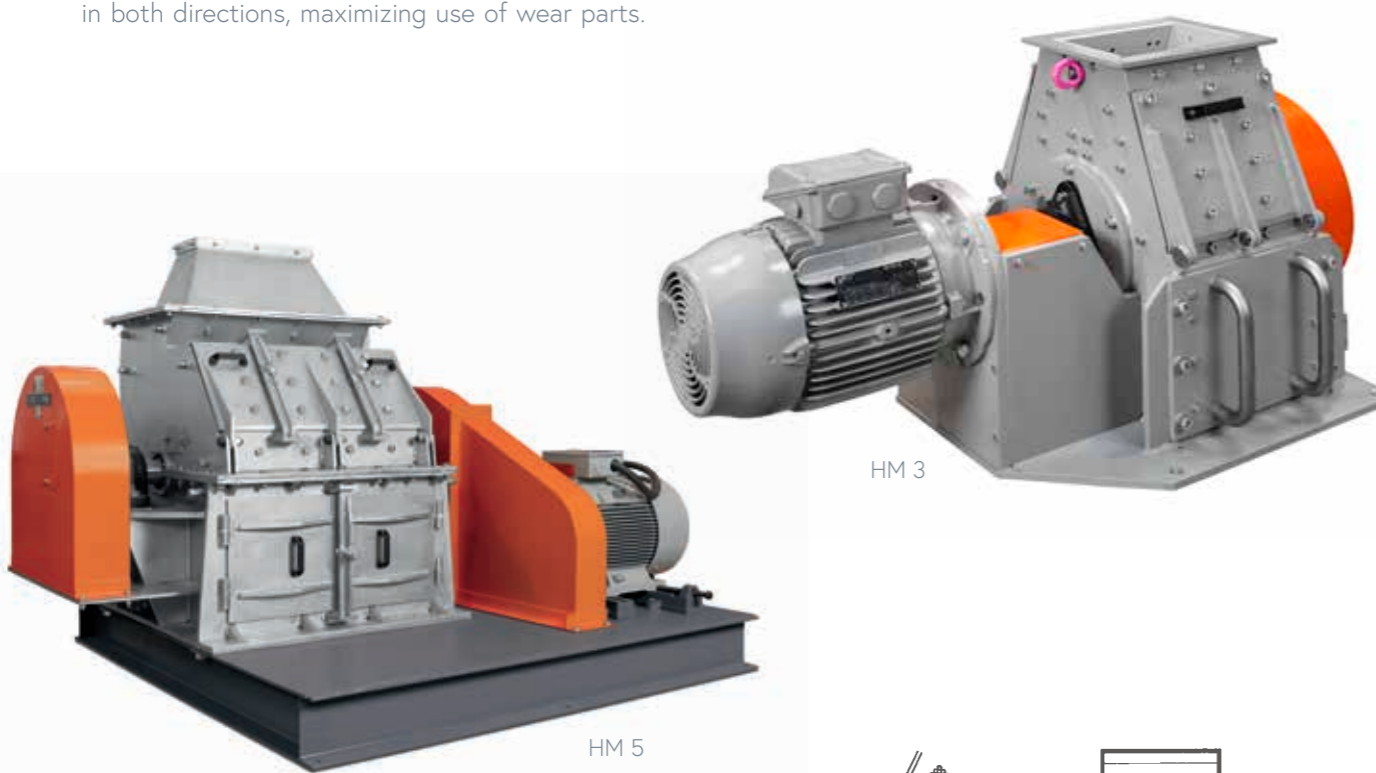
Our hammer and hammer impact mills are used for the comminution of soft to medium-hard, brittle or fibrous materials. Our series include machines for sample preparation in laboratories, small-batch milling as well as continuous industrial processes.

Our hammer/hammer impact mills have:

- ◆ **Oscillating suspended hammers**
- ◆ **Removable grate baskets made of profile bars or perforated plates**
to ensure the required fineness
- ◆ **Replaceable wear plates in the mill housing**
- ◆ **Inspection openings in the housing**
to inspect the oscillating suspended hammers and grate basket
- ◆ **Comminution with reversible direction**
in some models, meaning the hammer mill can be operated in both directions, maximizing use of wear parts.

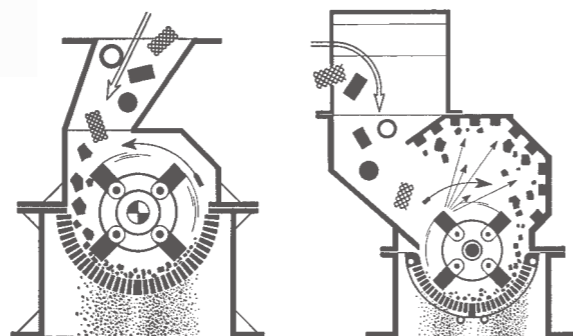


Grate basket halves



HM 3

HM 5



Hammer mill principle

Hammer impact mill principle

The hammer impact mill differs from the hammer mill in that it has additional impact space into which the material is thrown after being hit by the oscillating suspended hammers. This reduces wear on the grate basket, particularly when working with coarse materials, and comparatively high comminution ratios can be achieved.

HAMMER AND HAMMER IMPACT MILLS – HM AND HPM

For laboratory applications, we offer a compact HM 1-L with a feed hopper, collection container and control system. The HM 1-L can be converted into a cutting mill by swapping out the rotor and oscillating suspended hammers.

The machine is operated via the innovative

LabCo app

- Standard Operating Procedures (SOP)
- Speed adjustment via the integrated frequency inverter
- Accessing the operating instructions
- Direct spare parts inquiry
- Sample/machine data exportable in csv format
- Update-friendly app and firmware



Cutting mill rotor



HM 1-L

According to your requirements, our hammer and hammer impact mills are also available in **stainless steel** and can be equipped with sensors for bearing monitoring, speed monitoring or power consumption

Technical data

Hammer mill	HM 1-L	HM 3	HM 4a	HM 4b	HM 5a	HM 5b	HM 6a	HM 6b
Dimensions (W x H x L) mm	460x1440x991	1373x725x760	1672x1052x1300	1972x1030x1600	2550x1355x2000	2718x1335x2000	3000x1550x2135	3250x1550x2135
Weight kg	294	625	1310	2200	3000	3450	5400	5900
Motor kW	5.5	11	18.5	22	37	45	55	75
Grinding chamber width mm	180	320	450	610	810	980	1110	1360
Swing diameter mm	200	450	590	590	780	780	980	980
Feed material grain size (max.) mm	50	110	150	200	270	330	370	450
Gap width of discharge grate mm	1.0 and larger							
Throughput rate (at 10 mm gap width) t/h	1	3	7	9	20	24	30	40

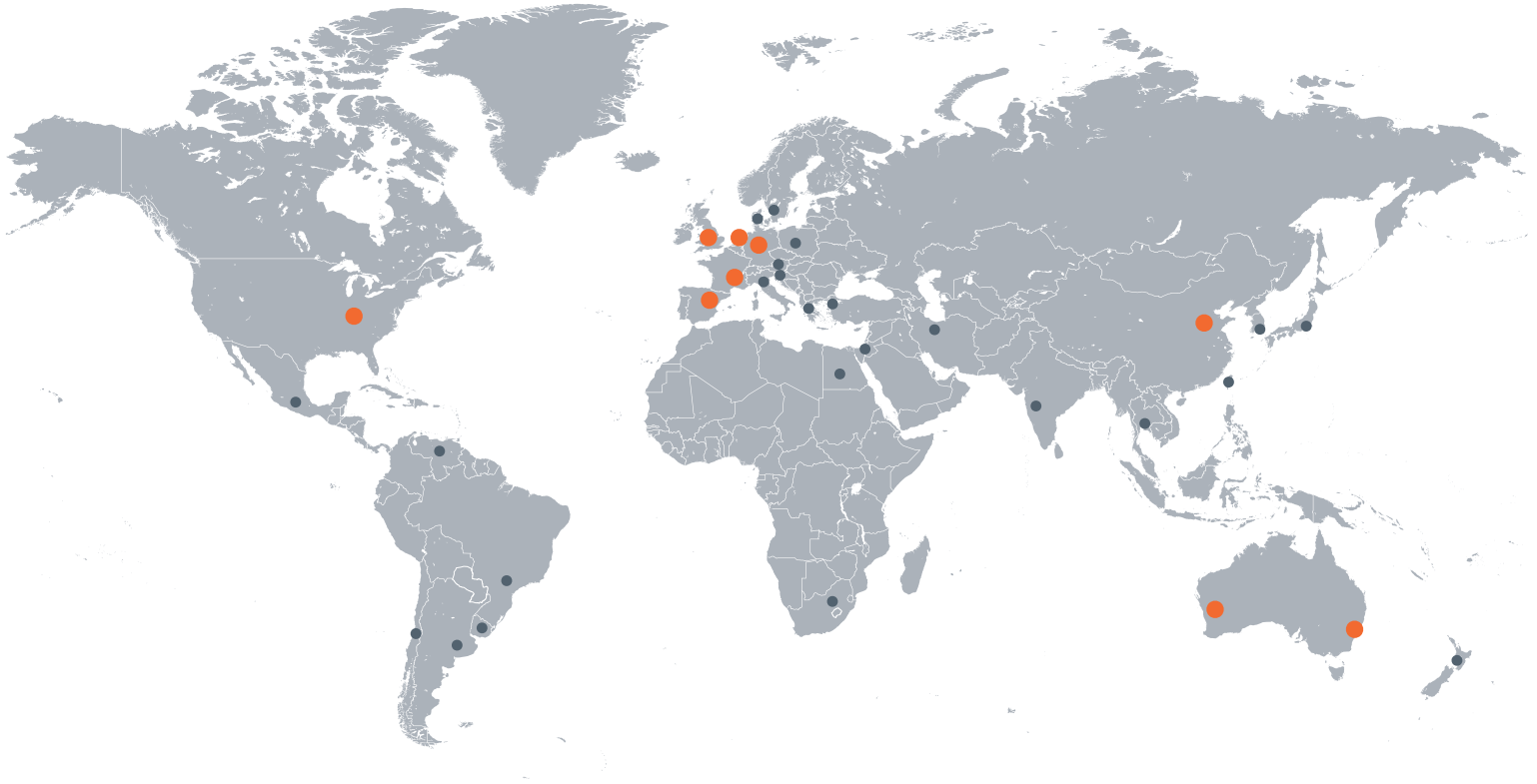
Hammer impact mill	HPM 3	HPM 4a	HPM 4b	HPM 5a	HPM 5b	HPM 6a	HPM 6b
Dimensions (W x H x L) mm	1550x1065x1500	1772x1240x1600	1972x1240x1600	2550x1550x2000	2718x1550x2000	3000x1880x2135	3250x1880x2135
Weight kg	1100	2000	2400	3300	3750	6000	7200
Motor kW	11	18.5	22	37	45	55	75
Grinding chamber width mm	320	450	610	810	980	1110	1360
Swing diameter mm	450	590	590	780	780	980	980
Feed material grain size (max.) mm	110	150	200	270	330	370	450
Gap width of discharge grate mm	1.0 and larger						
Throughput rate (at 10 mm gap width) t/h	3	7	9	20	24	30	40

Subject to technical changes.

recording.

If you require a **complete plant** with product infeed/out-feed and other machines such as a screening machine, we will also be happy to help with these requirements as a competent, experienced plant manufacturer.

One Solution. Worldwide.



SIEBTECHNIK TEMA provides more than 50 local support offices worldwide as well as main sites located in:

Mülheim an der Ruhr, Germany | Rijswijk / The Hague, The Netherlands | Madrid, Spain
Daventry, Great Britain | Mundolsheim, France | Sydney & Perth, Australia | Cincinnati, USA
Tianjin, China

We are experts in the field of solid-liquid separation and the processing of bulk materials

Automation | Channel conveyors | Crushing & Milling Equipment | Control Screening Machines
Decanter | Dryers | Laboratory Equipment | Pneumatic Tube Systems | Preparation Systems
Process Equipment | Pulsator Jigs | Pusher Centrifuges | Sampling Systems | Screening
Machines | Screen Worm Centrifuges | Sliding Centrifuges | Vibrating Centrifuges

Copyright information: All drawings, images and registered trademarks in this document are protected by copyright. Any reproduction or partial use without the explicit permission of us as copyright and trademark owner is prohibited. Violations of copyright or trademarks will be legally pursued.