



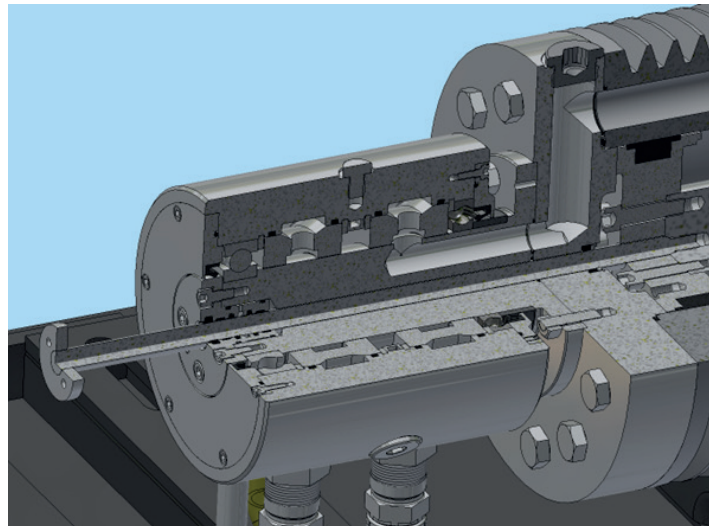
The Rotation Union R.Un

"State-of-the-Art" Fluid Transfer for Hydraulic Pusher Drives

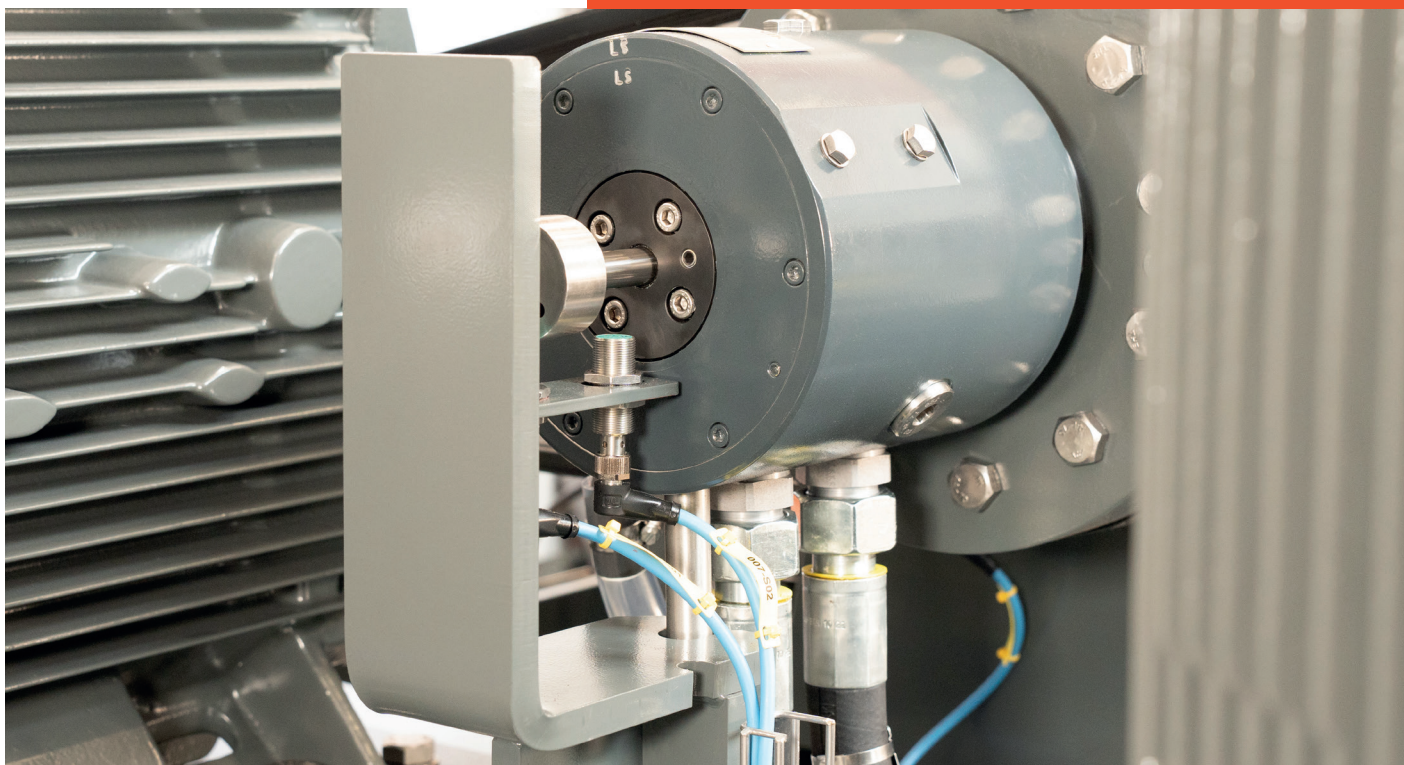
Highly efficient pusher hydraulics ensure the smooth and reliable operation of your pusher centrifuge SHS. An essential and important element of the hydraulic system is the multipath rotation union, which transfers the oil flow from the unit into the rotating centrifuge and back into the tank in the opposite direction.

The latest version of the rotation union R.Un2/2 resp. R.Un2/4

- ◆ is based on an axial support gap between the rotor and stator. This offers clear advantages over earlier versions in terms of **direct power transmission, even load distribution and safe emergency running properties.**
- ◆ **saves at least 10 bar differential pressure**, which is additionally available for the pusher function.
- ◆ is subjected to a **test run including protocol** before delivery.
- ◆ is available to you at short notice as a **completely overhauled replacement** unit if required.
- ◆ can be supplied as a **retrofit unit for your pusher centrifuge**. Only a few additional interfaces need to be adapted once.



The rotation union R.Un has already proven itself as a reliable component in worldwide use.





SIEBTECHNIK TEMA

100 YEARS | TAILOR MADE

1922 - 2022

SIEBTECHNIK TEMA offers an extensive product portfolio for a wide range of industries around the world.

As a renowned OEM & system supplier, our group of companies specializes in mechanical engineering, process engineering, components and services. Customized solutions, precisely tailored to the needs of our customers, have been the key to our success for 100 years.

We are experts in the field of solid-liquid separation and processing of bulk mineral materials – with more than 50 local sales offices and representatives worldwide.

Our product portfolio comprises:

Automation Solutions | Decanters | Conveyor Chutes | Gas Pycnometers | Sliding Centrifuges | Control Screening Machines | Laboratory Equipment | Sampling Plants
Sample Preparation | Pneumatic Post Systems | Setting Machines | Screening Machines
| Screen Scroll Centrifuges | Pusher Centrifuges | Vibratory Centrifuges | Dryers
Shredding Machines/Plants

Copyright information: All drawings, images and registered trademarks in this document are protected by copyright. Any reproduction or partial use without the explicit permission of us as copyright and trademark owner is prohibited. Violations of copyright or trademarks will be legally pursued.

